

## MC55 Smart + Acoustic



|           |            |
|-----------|------------|
| Part No.: | 240.520.01 |
| Series:   | MC55       |



### MECHANICAL DATA

|                             |                   |
|-----------------------------|-------------------|
| Height                      | 79 mm             |
| Diameter                    | 55 mm             |
| Materials                   | PC                |
| Dome colour                 | Trancluent        |
| Housing colour              | Black             |
| Protection category         | IP65<br>IP69K     |
| Connection                  | M12 plug 5-pole   |
| Type of fixing              | Built-in mounting |
| Working temperature minimum | -20°C             |
| Working temperature maximum | +50°C             |
| Weight with packaging       | 95 g              |
| Product weight              | 70 g              |
| IK-Code (IEC 62262)         | IK06              |

### ELECTRICAL DATA

|                             |                                |
|-----------------------------|--------------------------------|
| Operating voltage           | 24V                            |
| Operating voltage type      | DC                             |
| Operating voltage tolerance | +/- 10%                        |
| Rated operational voltage   | 24 VDC                         |
| Rated operational current   | 70 mA                          |
| Continuous output current   | 200 mA                         |
| Rated inrush current        | 660 mA                         |
| Protection class            | Protection class 3             |
| Pollution degree            | 3<br>In the connection area: 2 |
| Overvoltage category        | I                              |
| insulation voltage          | Ui = 50V / Uimp = 330V         |

### OPTICAL DATA

|                      |                       |
|----------------------|-----------------------|
| Light source         | LED                   |
| Light colour         | MC >1.000.000 colours |
| Optical signal image | multi function        |
| Flash frequency      | Configurable          |
| Service life optical | 50,000 h minimum      |

### ACOUSTIC DATA

|                             |            |
|-----------------------------|------------|
| Volume (max) at 1m distance | 85 dB      |
| Acoustic signal image       | Multi-tone |
| Number of tones             | 10 tone    |



For additional installation and mounting information, refer to the appropriate user guide at [www.werma.com](http://www.werma.com). This printed copy is for information only and is subject to alteration.

## MC55 Smart + Acoustic

|                       |                     |
|-----------------------|---------------------|
| Volume adjustable     | Software controlled |
| Acoustic service life | 5,000 h minimum     |

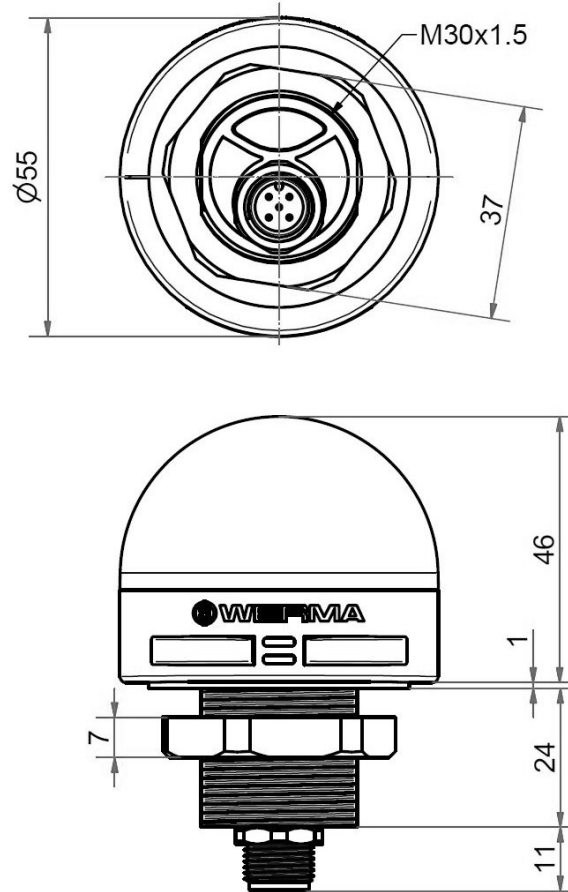
| <b>APPROVAL DATA</b>          |                       |
|-------------------------------|-----------------------|
| Conforms with CE              | Yes                   |
| Conforms with RoHS directive  | Yes                   |
| WEEE                          | Yes                   |
| Conforms with RED directive   | No                    |
| Conforms with ATEX-directive  | No                    |
| Conforms with CCC-Ex          | No                    |
| Conforms with CCC             | No                    |
| Conforms with UL              | cULus                 |
| UL Type Rating                | Type 4X               |
| Conforms with FCC             | No                    |
| Conforms with ISED            | No                    |
| EAC certificate available     | No                    |
| Conforms with UKCA (Importer) | Yes (WERMA (UK) Ltd.) |
| Conforms with CMIM            | No                    |
| Conforms with AS-I            | No                    |
| ICAO Certification            | No                    |
| Conforms with DNV             | No                    |
| Conforms with RoHS CN         | 10 years              |
| Conforms with VdS             | No                    |
| MTTFd-value [years]           | 341                   |



For additional installation and mounting information, refer to the appropriate user guide at [www.werma.com](http://www.werma.com). This printed copy is for information only and is subject to alteration.

# MC55 Smart + Acoustic

**DRAWING**



! For additional installation and mounting information, refer to the appropriate user guide at [www.werma.com](http://www.werma.com). This printed copy is for information only and is subject to alteration.